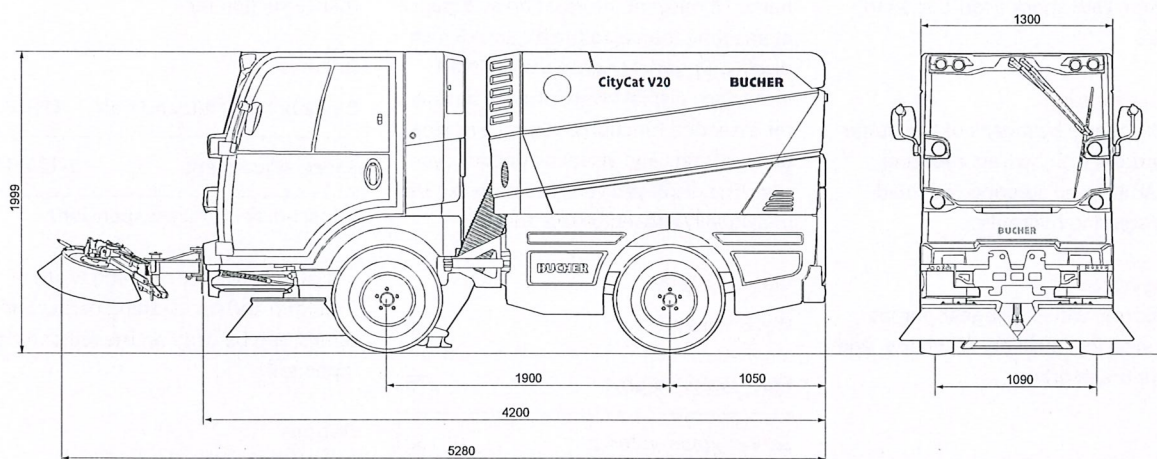


CityCat V20



Dimensions

| | |
|--------------------------|---------|
| Length | 4200 mm |
| Width | 1300 mm |
| Height | 1999 mm |
| Wheelbase | 1900 mm |
| Track width | 1090 mm |
| Cleaning width | 2100 mm |
| Cleaning width 3rd brush | 2700 mm |

Weight

| | |
|--------------|---------|
| Empty weight | 2700 kg |
| Payload | 2100 kg |
| GVW | 4800 kg |

Emissions

| | |
|----------------------|------------------|
| Noise level L_{WA} | 98 dB(A) |
| PM certification | PM 2.5/PM10 **** |

Tyres

215/75 R16 C M+S

Drive system

| | |
|------------------|------------|
| Working speed | 0-15 km/h |
| Travelling speed | 0-50 km/h* |
| Climbing ability | up to 30 % |

Stepless, hydrostatic drive system. Two speed levels with automatic, load-dependent electronic control.

Engine

| | |
|---------------------|----------------------|
| Type | R754EU6D |
| Emission standard | Euro 6d |
| Engine Displacement | 2970 cm ³ |
| Output | 62 kW |
| Torque | 270 Nm |
| Fuel tank | 80 l |
| AdBlue tank | 14 l |
| Electrical system | 12 V |
| Battery | 95 Ah |

* According to national legislation

CityCat V20: the agile compact sweeper



Unparalleled suction performance

Just like the floating suction mouth, the straight suction hose also belongs to the Bucher "DNA" and results in minimum risk of blockage and optimum air flow for trouble-free operation.



Articulated steering for max. manoeuvrability

One benefit of articulated steering is the resulting manoeuvrability. The articulated steering means that the suction mouth is always positioned in the direction of travel and prevents irritating traces of dirt.



Low-emission Euro 6d diesel engine

The smooth-running, economical Euro 6d diesel engine delivers demand-driven performance and therefore guarantees low consumption and emission values.